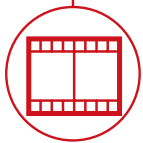




CONSTRUCTION



LOGISTICS



EVENTS AND  
FILM



FORESTRY

# RTH

## 17.115

# RTH 17.115



## CAB

Best-in-class  
safety and visibility



## PERFORMANCE

Unrivaled lifting  
performance

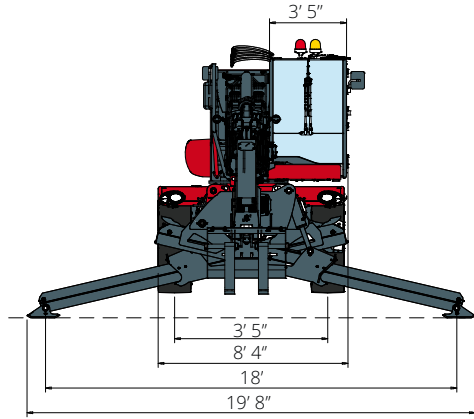


## LOAD LIVE DIAGRAM

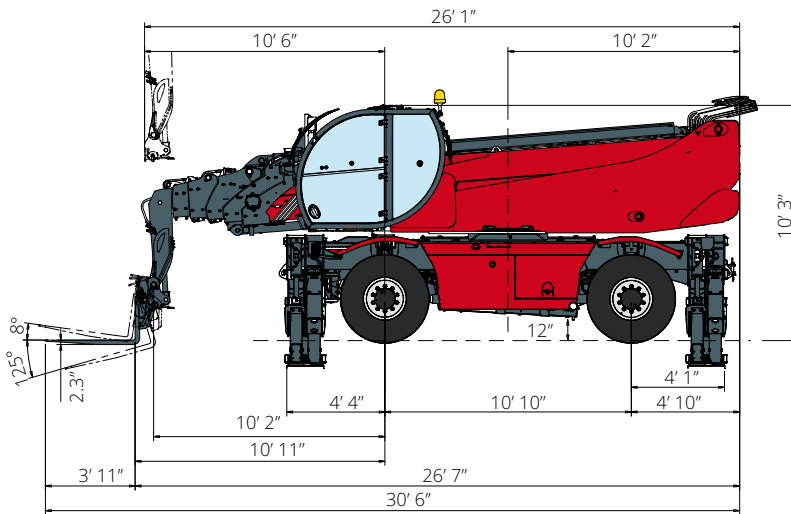
Three real-time dynamic  
load charts

# RTH 17.115

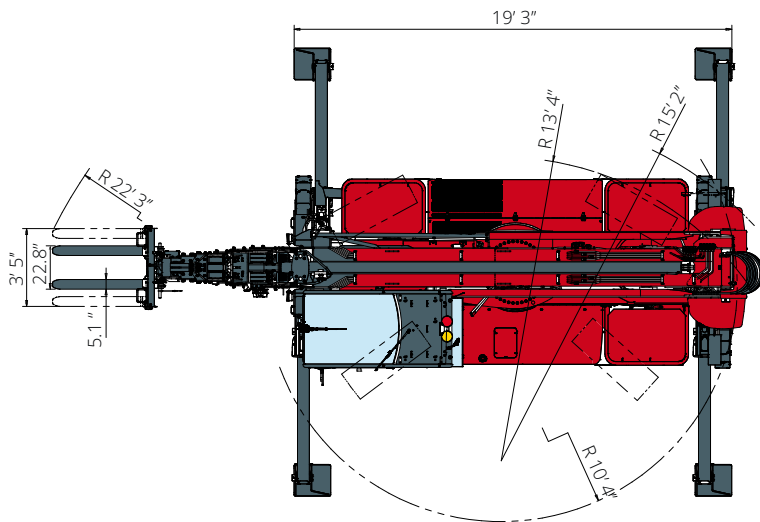
DIMENSIONS (ft and in)



**FRONT**  
view

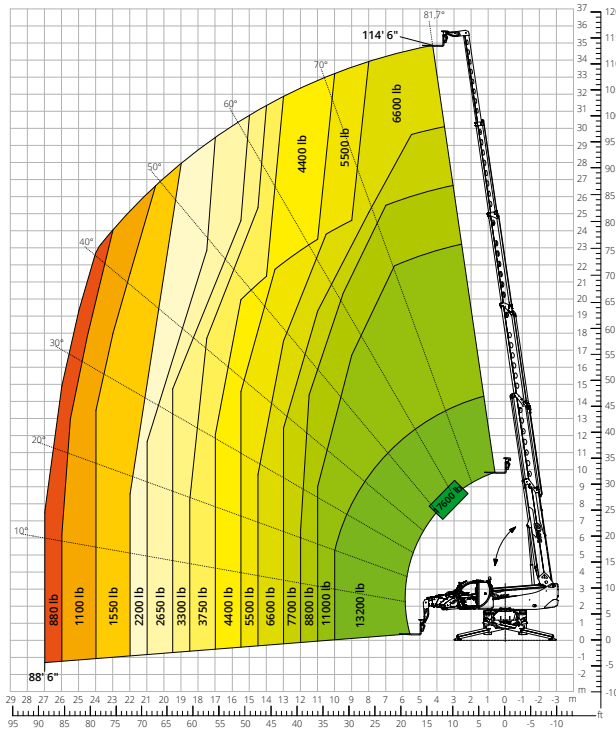


**SIDE**  
view

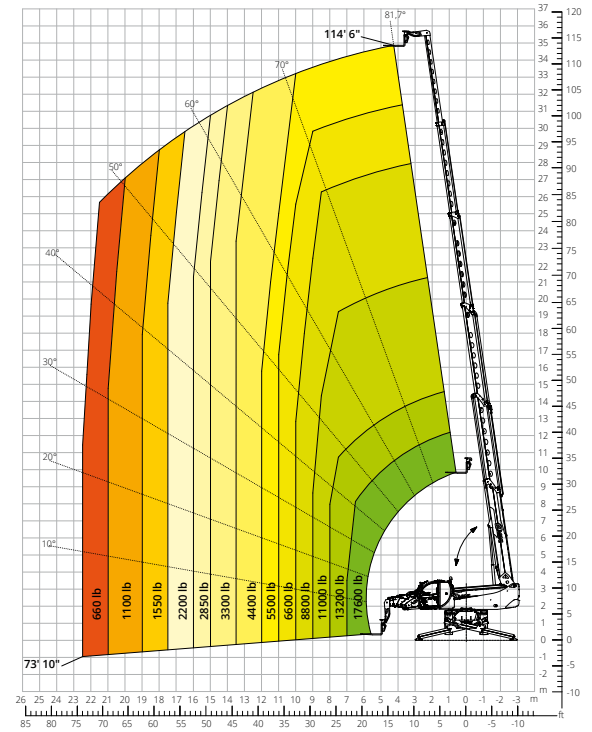


**TOP**  
view

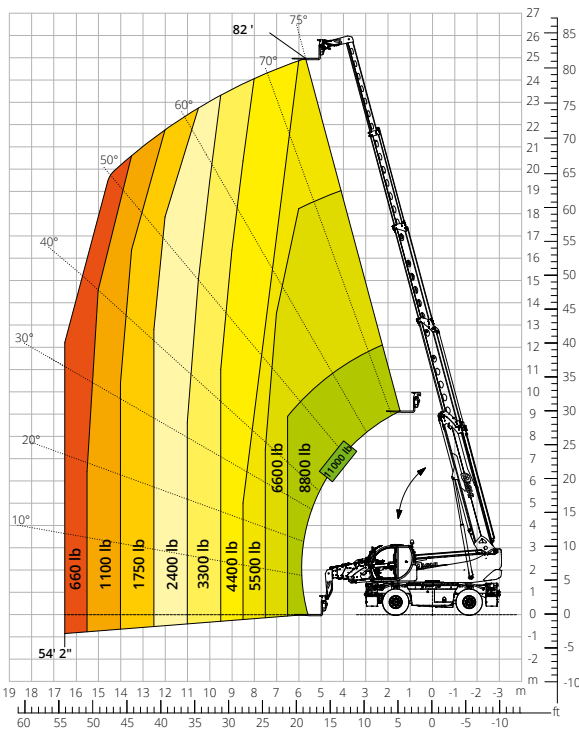
Load chart with  
**FULLY EXTENDED STABILIZERS (360°) – M1**  
 ATT - 03 - 007



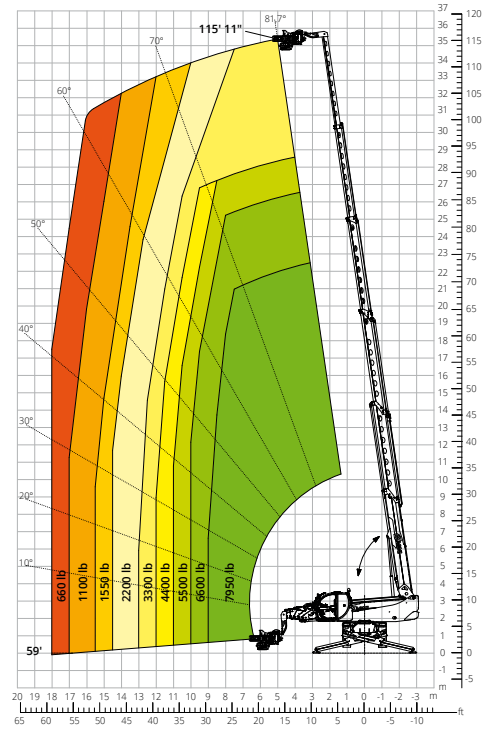
Load chart with  
**FULLY EXTENDED STABILIZERS (360°) – M2**  
 ATT - 03 - 007



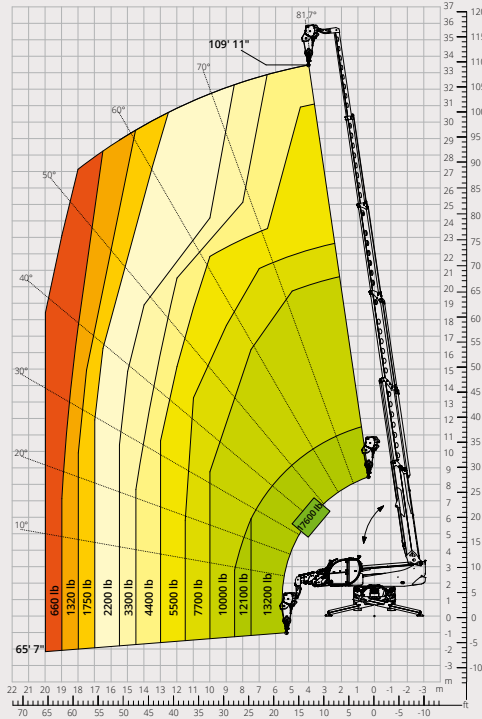
Load chart  
**FRONT ATTACHMENT ON TIRES**  
 ATT - 03 - 007



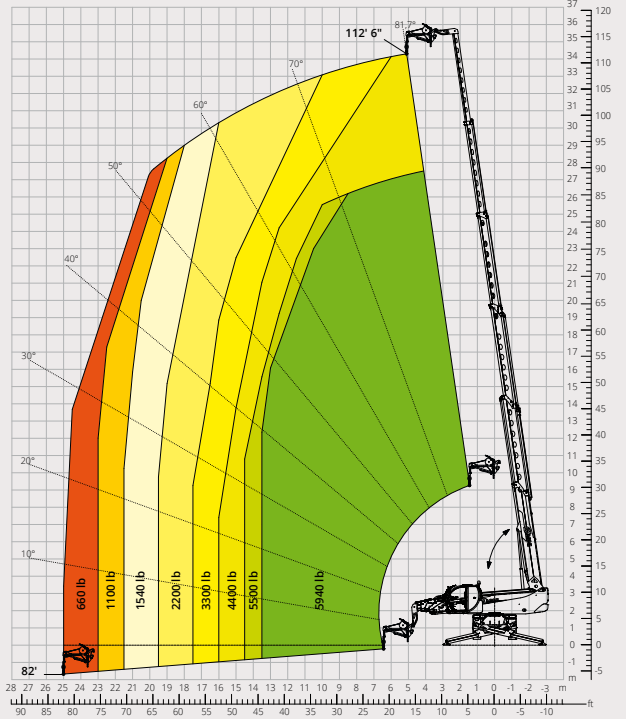
Load chart with  
**TREE CUTTER**  
 ATT - 08 - 001



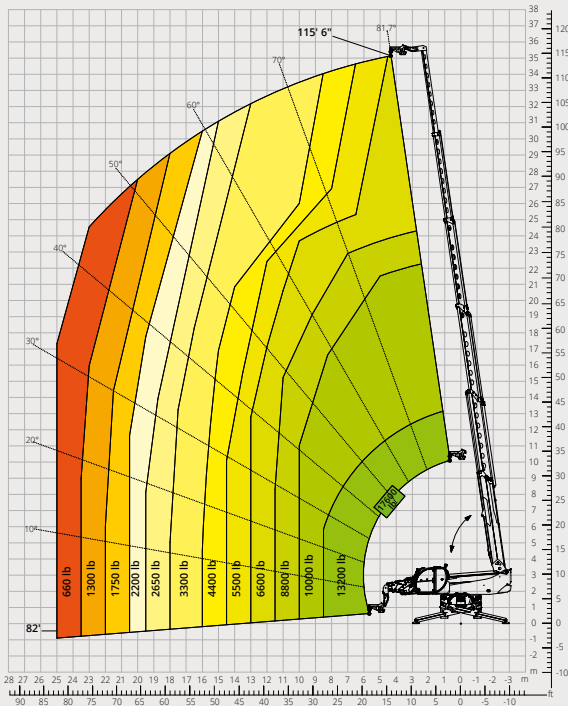
Load chart with  
WINCH, 17,600 lb – M1  
ATT - 02 - 006



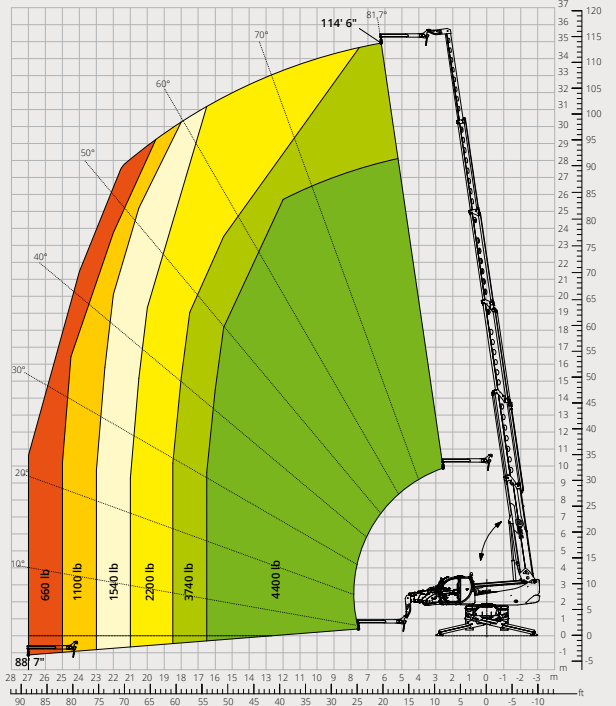
Load chart with  
JIB WITH WINCH, 5,940 lb  
ATT - 04 - 017



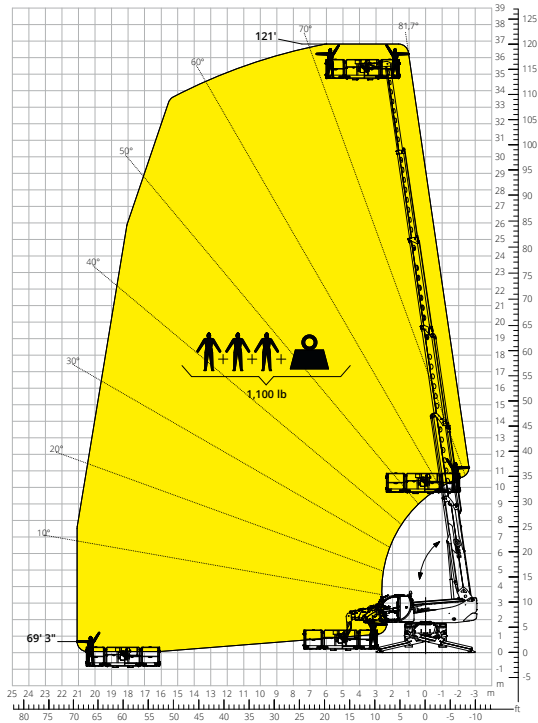
Load chart with  
HOOK, 17,600 lb – M1  
ATT - 05 - 003



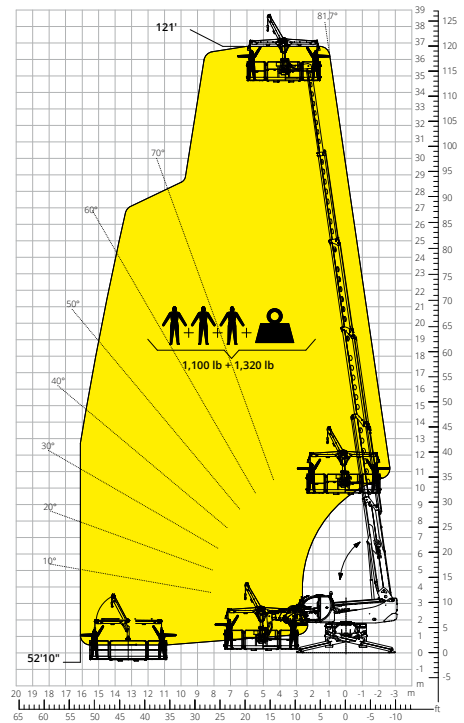
Load chart with  
JIB, 4,400 lb  
ATT - 04 - 013



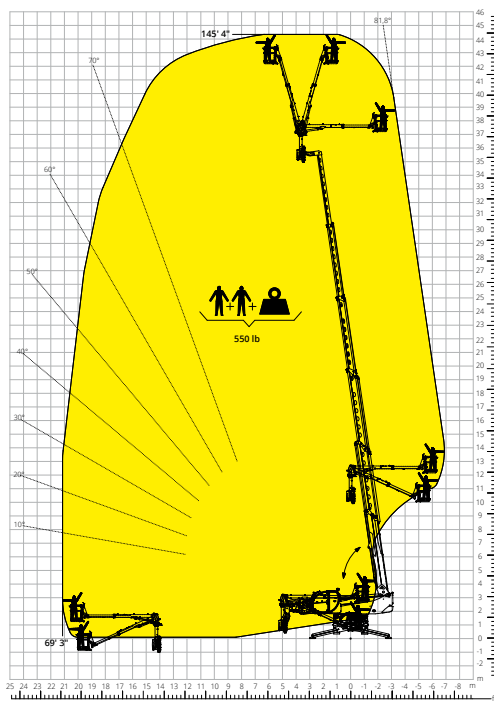
Load chart with  
**ROTATING EXTENDABLE PLATFORM, 1,100 lb**  
 ATT - 01 - 007



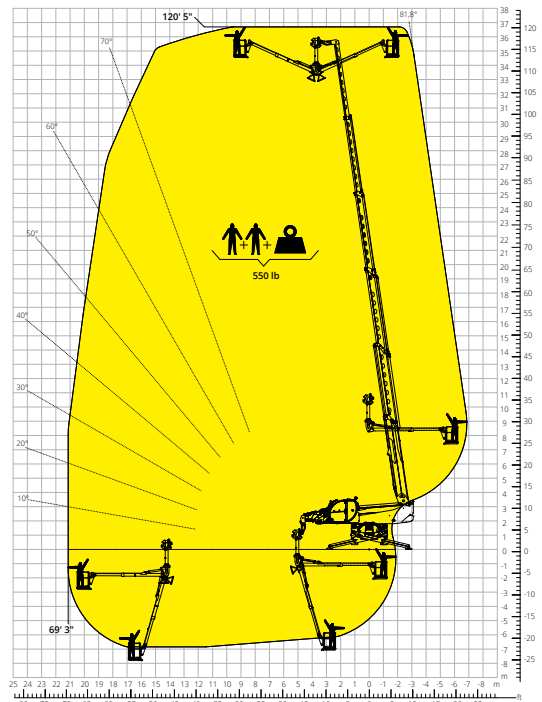
Load chart with  
**PLATFORM, 1,100 lb, WITH WINCH, 1,320 lb**  
 ATT - 01 - 026



Load chart with  
**OVER-UNDER PLATFORM – POSITIVE**  
 ATT - 01 - 024



Load chart with  
**OVER-UNDER PLATFORM – NEGATIVE**  
 ATT - 01 - 024



	Rotating telescopic handler	RTH 17.115	
<b>Machine model</b>	Maximum lifting capacity	17,600 lb	
	Maximum lifting height	114' 6"	
	Maximum reach	88' 6"	
	Rotation	360° (continuous)	
<b>Stabilizers</b>	Type	Telescopic scissor	
<b>Engine</b>	Model	Volvo TAD 552 VE Stage III A	Volvo TAD 583 VE Stage V
	Rated power	160 kW (218 hp) at 2,200 rpm	175 kW (238 hp) at 2,300 rpm
	Maximum torque	671 lb/ft at 1,450 rpm	719 lb/ft at 1,380 rpm
	Displacement	313 in <sup>3</sup>	
	Cylinders	4 in line	
	Engine type	Turbocharged direct injection diesel	
	Cooling system	Water – intercooler	
	<b>Transmission</b>	Type	Hydrostatic
Maximum pressure		480 bar	
Gearbox		Dropbox, 2 speeds forward-reverse	
<b>Axles and brakes</b>		Type	Axles with planetary gearboxes
	Front axle	Oscillating and steering with levelling, +/-8°	
	Rear axle	Oscillating and steering with hydraulic lock	
	No. of steering wheels	4WD - 4WS	
	Steering mode	Frontal/Concentric/Crab	
	Service brake	Wet multi-disk on front and rear axle	
	Parking brake	Hydraulic with negative action on front axle	
	Tyre sizes	445/65 R22.5	
<b>Performance</b>	Max. travel speed	25 mph	
	Gradeability (unladen)	62%	
	Turning radius (at forks)	22' 3"	
<b>Weights</b>	Total unladen*	52,900 lb	
<b>Tank and system capacities</b>	Diesel fuel	71 U.S. gal	71 U.S. gal
	AdBlue	-	10.56 U.S. gal
	Hydraulic fluid	57 U.S. gal	57 U.S. gal
	Engine oil	4.22 U.S. gal	4.22 U.S. gal
	Coolant	10.56 U.S. gal	10.56 U.S. gal
	<b>Hydraulic circuit for movements</b>	Circuit type	Load sensing
Service pump		Variable displacement	
Max. hydraulic flow rate		42.3 U.S. gpm	
Max. boom head flow rate		19.8 U.S.gpm	
Max. working pressure		350 bar	
Distributor for boom and turret movements		SIL 2 electro-proportional valve	
Movements control		Dual joystick with integrated manoeuvre enable	
<b>Standards met</b>	2006/42/EC: EU Machinery Directive		
	2016/1628: EU Regulation on the emissions of stage V engines		
	EN 1459-X: Relating to standards on the safety requirements for variable reach machines		
	EN 280-1/EN 280-2: standards relating to mobile elevating work platforms (if available)		
	ROPS/level 2 FOPS: relating to the standards for protective structures		

The standard machine configuration includes:

## CAB

- “Easy access” system
- Premium tilting seat with air suspension and headrest
- Adjustable steering column
- Analogue joypad
- Adjustable sunblind
- Heating
- Air conditioning
- FM/AM radio with USB and Bluetooth connectivity
- Ambient LED lights
- USB Type-A and Type-C (5 V) inputs

## REAL TIME INFORMATION

- Touchscreen, 12”
- MCTS – Magni Combi Touch System on-board software
- Automatic RFID tools recognition system
- LMI – Load Moment Indicator
- LLD – Live Load Diagram
- Onboard and remote integrated diagnostics
- Reversing camera with image integrated in the MCTS

## TECHNICAL SPECIFICATIONS

- Q-Fit standard
- Provision for platform
- Advanced three-line CAN BUS system
- Automatic levelling system for outriggers
- Automatic front and rear wheel alignment
- High-precision turret rotation motor by Liebherr
- Automatic parking brake
- Mechanical battery cut-off in engine compartment
- Electrical system: 24 V – IP67

## SERVICE

- MyMagni by Trackunit connectivity system (free of charge on request)
- Warranty: 24 months/2,000 hours