

# HTH

## 55.34



MINING &  
QUARRYING



HEAVY  
LOGISTICS



DEFENSE

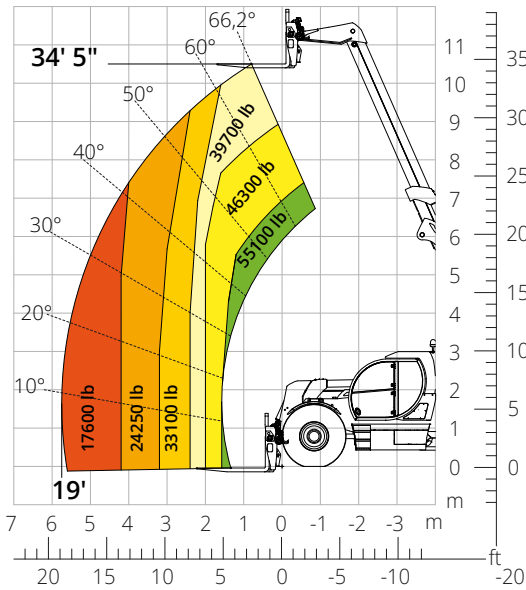


<b>Machine model</b>	Telescopic handler	HTH 55.34	
	Maximum lifting capacity	55,100 lb	
	Maximum lifting height	34' 5"	
	Maximum reach	19'	
<b>Engine</b>	Model	<b>Volvo TAD583 VE-Stage V</b>	<b>Volvo TAD552 VE-Stage IIIA</b>
	Rated power	175 kW (238 hp) at 2,300 rpm	
	Maximum torque	719 lb/ft at 1,380 rpm	
	Displacement	313 in <sup>3</sup>	
	Cylinders	4 in line	
	Engine type	Turbocharged direct injection common rail diesel	
	Cooling system	Water - intercooler	
<b>Transmission</b>	Type	Hydrostatic	
	Maximum pressure	450 bar	
	Gearbox	Dropbox, 2 speeds forward-reverse	
<b>Axles and brakes</b>	Type	Heavy-duty with planetary gearboxes	
	Front axle	Steering with levelling, +/-10°	
	Rear axle	Steering and oscillating	
	No. of driving - steering wheels	4WD - 4WS	
	Steering mode	Frontal/Concentric/Crab	
	Service brake	Servo-assisted pedal, acting on front and rear wheels	
	Parking brake	Hydraulic with negative action on front and rear axles	
<b>Performance</b>	Tire sizes	18,00- R 25	
	Max. travel speed	15.5 mph	
	Gradeability (unladen)	64%	
	Turning radius	17'9"	
<b>Weights</b>	Total unladen*	65,500 lb	
<b>Tank and system capacities</b>	Diesel fuel	52.8 U.S. gal	
	AdBlue	10.6 U.S. gal	
	Hydraulic fluid	52.8 U.S. gal	
	Engine oil	4.2 U.S. gal	
	Coolant	12.4 U.S. gal	
<b>Hydraulic circuit for movements</b>	Circuit type	Load sensing	
	Service pump	Variable displacement	
	Max. hydraulic flow rate	43.6 U.S. gpm	
	Max. boom head flow rate	26.4 U.S. gpm	
	Max. working pressure	350 bar	
	Distributor for boom movements	Proportional hydraulic distributor	
<b>Standards met</b>	Movements control	Multifunction electro-proportional joystick	
		2006/42/EC: EU Machinery Directive	
		2016/1628: EU Regulation on the emissions of stage V engines	
		EN 1459-X: Relating to standards on the safety requirements for variable reach machines	
	ROPS/level 2 FOPS: relating to the standards for protective structures		

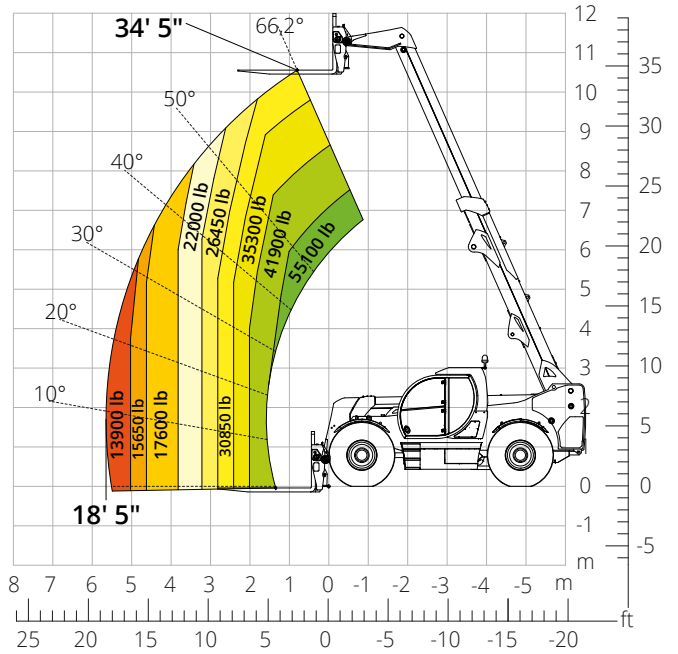
*The data given in this brochure are provided for information purposes and are subject to change without prior notice.  
All images are purely guideline and might not give an exact representation of the product.*

*\*the stated weight refers to the vehicle unladen with standard equipment and may vary depending on the chosen configuration.*

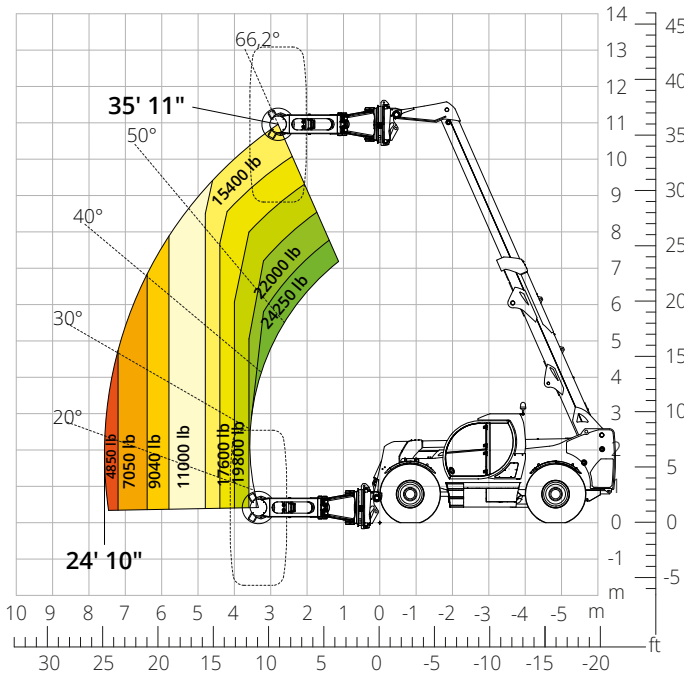
Load chart  
**FRONT ATTACHMENT ON TIRES (WORLD)**  
 ATT-03-027



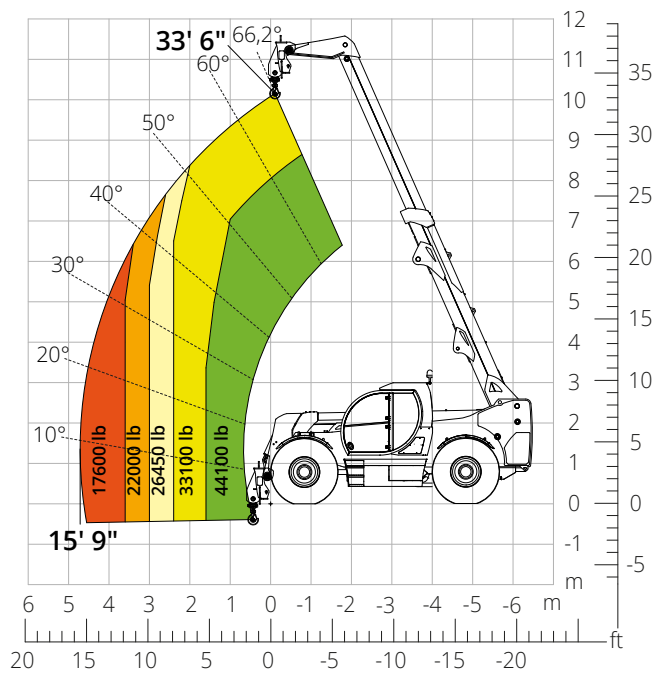
Load chart  
**FRONT ATTACHMENT ON TIRES (WORLD)**  
**FORK CARRIAGE WITH POSITIONER -**  
**FORK LENGTH 2,400 mm**  
 ATT-03-028



Load chart with  
**TIRE HANDLER, 35,300 lb**  
 ATT-06-007

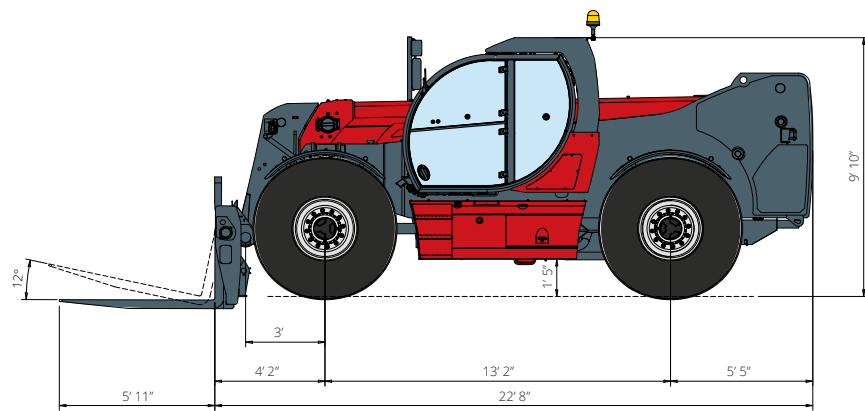
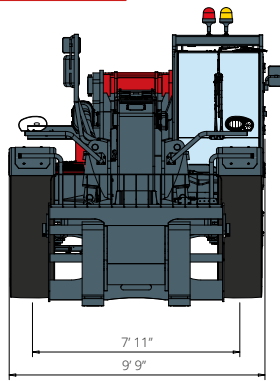


Load chart with  
**HOOK, 44,100 lb**  
 ATT-05-008



# HTH 55.34

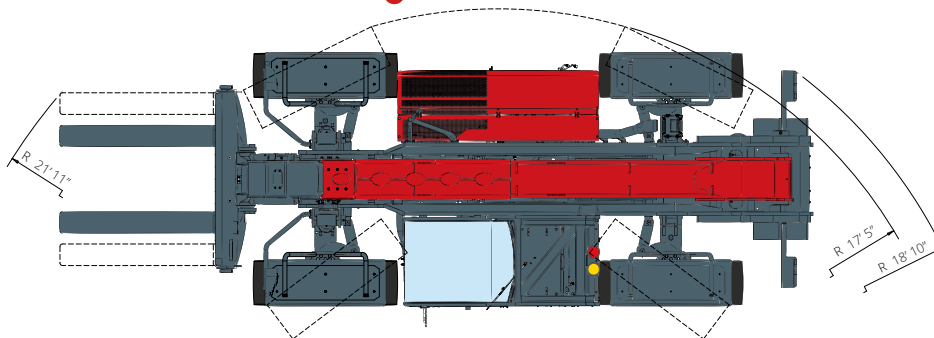
## DIMENSIONS (ft and in)



**FRONT**  
view

**TOP**  
view

**SIDE**  
view



The standard machine configuration includes:

### CAB

- Comfort seat
- Adjustable steering column
- Analogue joystick
- Heating
- Air conditioning
- FM/AM radio with USB and Bluetooth connectivity
- USB Type-A (5 V) inputs

### TECHNICAL SPECIFICATIONS

- Q-Fit Heavy-Duty
- Two-line CAN BUS system
- Automatic front and rear wheel alignment
- Automatic parking brake
- Mechanical battery cut-off in engine compartment
- Electrical system: 24 V – IP67

### REAL TIME INFORMATION

- Touchscreen, 7"
- MCTS – Magni Combi Touch System on-board software
- Automatic RFID tools recognition system
- LMI – Load Moment Indicator
- Onboard and remote integrated diagnostics

### SERVICE

- MyMagni by Trackunit connectivity system (free of charge on request)
- Warranty: 24 months/2,000 hours