



4400-F SERIES



- 10-16,000 LB CAPACITY RANGE
- FULL TIME FOUR WHEEL DRIVE
- THREE AVAILABLE STEERING MODES
- OUTBOARD PLANETARY DRIVE AXLES
- OIL IMMERSED DISC BRAKES
- HEAVY DUTY POWERSHIFT TRANSMISSION
- FOUR CYLINDER TURBOCHARGED EPA COMPLIANT ENGINE
- RESPONSIVE HYDRAULICS
- HEAVY DUTY RANGE OF C-THRU ROLLER MASTS
- FULL RANGE OF ATTACHMENTS
- ISOLATED ROOMY OPERATORS MODULE
- SUPERIOR OPERATOR VISIBILITY

*Model 4414-12F
complete with individual
control fork positioner*



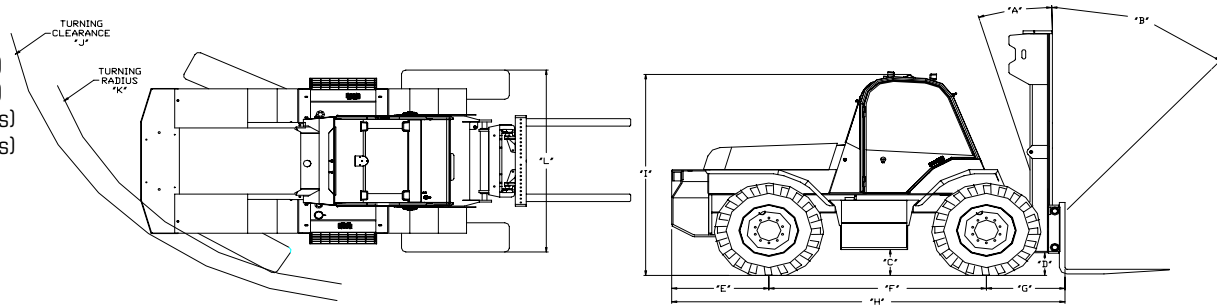
LOAD LIFTER FEATURES DO WORK FOR YOU

MACHINE APROX. WEIGHTS

10,000 LB - 8,596 Kg (18,950 lbs)
 12,000 LB - 9,253 Kg (20,400 lbs)
 14,000 LB - 10,228 Kg (22,550 lbs)
 16,000 LB - 11,090 Kg (24,450 lbs)

MACHINE DIMENSIONS

A (Tilt Back) 14°
 B (Tilt Forward) 24°
 C (Machine Ground Clearance) 13"
 D (Mast Ground Clearance) 14"
 E (Counterweight Overhang) 47"
 F (Wheelbase) 100"
 G (C.V. Drive Axle to Face of Forks) 36"
 H (Overall Length to Face of Forks) 181"
 I (Overall Height Top of Canopy) 107"
 J (Turning Clearance) 186"
 K (Turning Radius) 174"
 L (Overall Width) 96"



ELECTRICAL SYSTEM

Volts	12
Alternator	85 Amp.
Instrumentation	Full LED Display

ENGINE

	10K to 12K	14K to 16K
Make	Perkins 1104D-44T Turbo Diesel	Perkins 1104D-E44TA Turbo
Displacement	4.4 Litres (268.5 cu. In.)	4.4 Litres (268.5 cu. In.)
Gross B.H.P.	73.82 KW. (99.9 H.P.)	96 KW. (129 H.P.)
Maximum Torque	(283 ft. lbs.)	(382 ft. lbs.)
Rated Speed	2300 r.p.m.	2200 r.p.m.

FLUID CAPACITIES

Cooling System	11.5 Litres (12.2 Qts.)
Engine Oil	6.8 Litres (7.2 Qts.)
Fuel Tank	159 Litres (42 Gal.)
Hydraulic Tank	141 Litres (37.2 Gal.)
Transmission	18.9 Litres (20 Qts.)
Axle	Individual Hub Center Housing Front Center Housing Rear
	1.9 Litres (2 Qts.) 16 Litres (16.9 Qts.) 15 Litres (15.9 Qts.)

TRANSMISSION

Type	3F/3R Speed 20,000 Series Powershift
Speeds	1 4.3 km (2.7 mph) 2 10.0 km (6.2 mph) 3 29.5 km (18.3 mph)

BRAKE

Hydraulic Power Oil Immersed disc brakes

HYDRAULIC SYSTEM

Pump	Gear Type System
Filter	Full Load Sense Steering Circuit 25 Micron Replaceable Element
Modular Control Valve c/w Tilt Lock System	

AXLES

Drive/Steer	Clark Outboard Planetary 4 wheel drive
-------------	---

TIRES

Drive/Steer	10K to 12K	15.5 x 25 - 12 ply
Drive/Steer	14K to 16K	15.5R x 25 Radial

STANDARD EQUIPMENT

- 3F/3R Speed 20,000 Series Transmission
- Electric Column Shift
- Tilt & Telescopic Steering Console
- Hydrostatic Power Load Sense Steering
- Safety Start
- Dry Type Air Cleaner
- Retractable Seat Belt
- Height Adjustable Seat c/w Arm Rests
- L.E.D. INSTRUMENT DISPLAY (Hour Meter, Fuel Level, Coolant Temp, Alt, Pre Heater, Oil Pressure Gauge, Low Oil Press Warning, Trans Temp, Work Light Indicator, Park Brake, Work Light Switch)
- Engine Temp
- Fuel Level
- Water Temp
- Power Brakes
- Circuit Breakers
- Block Heater
- Heavy Duty Battery
- Anti Freeze -40°C
- Horn
- Four Work Lights
- Directional signals
- Marker lights
- Reverse lights
- Brake lights
- Overhead F.O.P.S. Canopy
- Transmission De Clutch
- 14' C-Thru Mast
- 60" Shaft Carriage
- 48" Forks

OPTIONAL EQUIPMENT

- 3F/3R Speed 24,000 Series Transmission
- Air Ride Swivel Seat
- Suspension Seats
- Cold Weather Package
- Murphy Shutdown Systems
- Exhaust Purifier
- High Air Intake
- Cyclonic Pre-Cleaner
- Lift Circuit Cushion Accumulator
- Pintle Hook
- 140 hp Turbo Engine
- Snow Blade
- Marine Negative Masts
- Hydraulic Bucket
- R.O.P.S. & F.O.P.S Cabs+
- Air Conditioning
- Mirrors
- Windshield Washer Kit
- Fork Positioner
- Load Grapple
- Full Range of Attachments

This information contained herein is general in nature and not intended for specific application purpose. Load Lifter reserves the right to make changes in specifications, make improvements, or discontinue manufacture at any time without notice or obligation.

LOAD LIFTER MANUFACTURING LTD.
 3 Anderson Blvd., Stouffville, Ontario, Canada, L4A 7X4
 Tel. 905-642-9756, Fax. 905-640-1437, www.load-liftermfg.com, info@load-liftermfg.com

